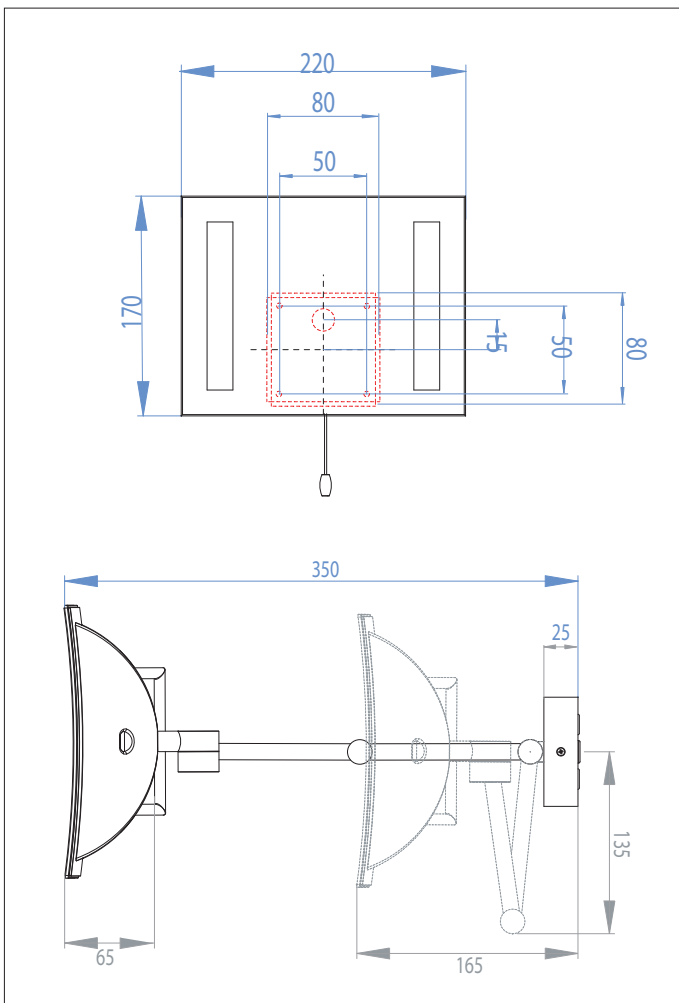


# 0338 Madison



1 x 25w G9		incl.
---------------	--	-------

11.8 lm/W
-----------

Zones	<b>2</b>	<b>3</b>
-------	----------	----------

